



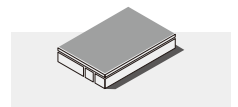
YTM400-420P-54/M

Adopting PERC technology on M10 wafer, perfectly matches the mainstream system design and mature logistics scheme.

Advanced module technologies are adopted like multi-busbar, half cell, non-destructive cutting, and intelligent soldering.



Residential



Commercial



High Power Output



Low LCOE



Better Mechanical Performance



Long-term Reliability

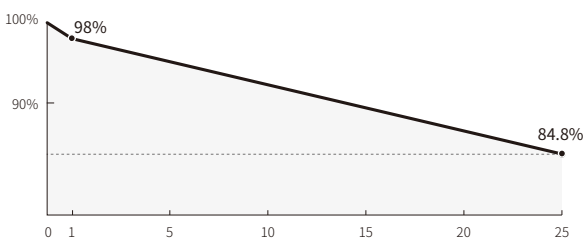
Warranty

Product warranty 12 Years

1st year degradation $\leq 2\%$

Linear power warranty 25 Years

Annual degradation $\leq 0.55\%$



Certificates

IEC 61215, IEC 61730

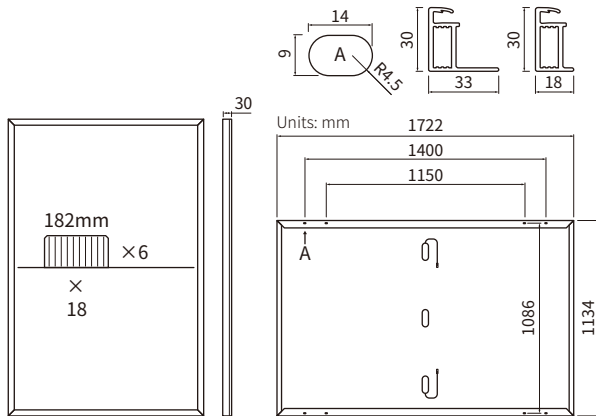
ISO 9001:2015 Quality management systems

ISO 14001:2015 Environmental management systems

ISO 45001:2018 Occupational health and safety management systems



YTM400-420P-54/M



Mechanical Parameters

Cell type	Mono PERC
No. of cells	108 (6*18)
Junction box	IP68, 3 diodes
Cable	4mm ² ; (±)1200mm or customized
Glass	Single glass, 3.2mm
Frame	Anodized aluminum alloy frame
Weight	21.4kg±3%
Dimensions	1722mm x 1134mm x 30mm
Packaging	36 pcs/pallet, 936 pcs/40HQ container

Electrical Parameters

STC: AM1.5 1000W/m² 25°C NMOT: AM1.5 800W/m² 20°C 1m/s

Module type	YTM400P-54/M		YTM405P-54/M		YTM410P-54/M		YTM415P-54/M		YTM420P-54/M	
	STC	NMOT	STC	NMOT	STC	NMOT	STC	NMOT	STC	NMOT
Rated maximum power P _{max} (W)	400	298	405	302	410	306	415	310	420	314
Open circuit voltage Voc (V)	37.02	34.91	37.18	34.99	37.26	35.08	37.40	35.19	37.52	35.27
Short circuit current Isc (A)	13.81	11.13	13.89	11.22	13.97	11.32	14.04	11.42	14.12	11.52
Maximum power voltage V _{mp} (V)	30.96	28.49	31.16	28.65	31.42	28.80	31.60	28.99	31.75	29.18
Maximum power current Imp (A)	12.92	10.46	13.00	10.54	13.05	10.63	13.14	10.69	13.23	10.76
Module efficiency (%)	20.5		20.7		21.0		21.3		21.5	

Temperature Coefficients

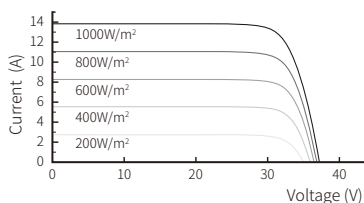
Temperature coefficient α_{Isc}	+0.045%/°C
Temperature coefficient β_{Voc}	-0.275%/°C
Temperature coefficient γ_{Pmax}	-0.350%/°C

Operating Conditions

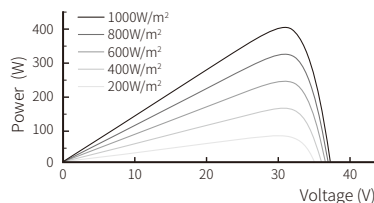
Operating temperature	-40°C~+70°C	Nominal operating cell temperature	45±2°C
P _{max} , Voc, Isc tolerance	±3%	Front side Max. static test loading	5400 Pa
Power selection	0~+5W	Rear side Max. static test loading	2400 Pa
Maximum system voltage	1500V DC		
Maximum series fuse rating	25A		

Graphs (YTM405P-54/M)

Current - Voltage Curve



Power - Voltage Curve



Current - Voltage Curve

