

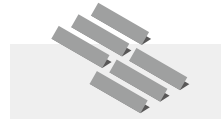
YTG645-665P-66/D

Adopting PERC technology on G12 wafer, perfectly matches the mainstream system design.

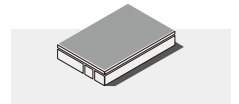
Lower voltage brings higher string power, thus lower system cost.

Advanced module technologies are adopted like multi-busbar, half cell, non-destructive cutting, and intelligent soldering.

Bifacial modules bring additional power generation gain to the system.



Utility



Commercial



High Power Output



Low LCOE



Better Mechanical Performance



Long-term Reliability

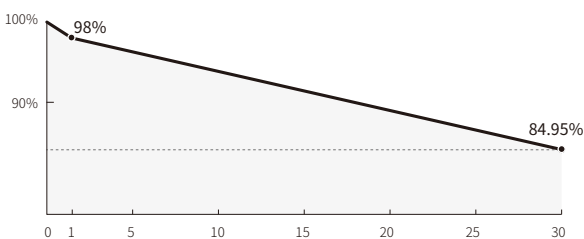
Warranty

Product warranty 12 Years

1st year degradation $\leq 2\%$

Linear power warranty 30 Years

Annual degradation $\leq 0.45\%$



Certificates

IEC 61215, IEC 61730

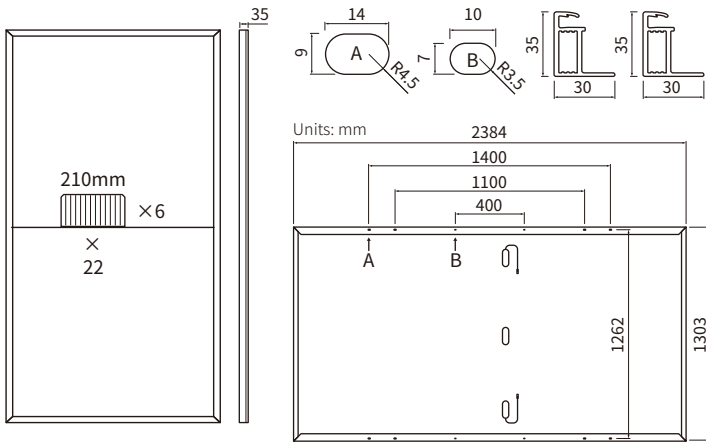
ISO 9001:2015 Quality management systems

ISO 14001:2015 Environmental management systems

ISO 45001:2018 Occupational health and safety management systems



YTG645-665P-66/D



Mechanical Parameters

Cell type	Mono PERC
No. of cells	132(6*22)
Junction box	IP68, 3 diodes
Cable	4mm ² ; 300mm(+)/400mm(-) or customized
Glass	Dual glass, 2.0mm + 2.0mm
Frame	Anodized aluminum alloy frame
Weight	38.5kg ± 3%
Dimensions	2384mm x 1303mm x 35mm
Packaging	31 pcs/pallet, 558 pcs/40HQ container

Electrical Parameters

STC: AM1.5 1000W/m² 25°C NMOT: AM1.5 800W/m² 20°C 1m/s

Module type	YTG645P-66/D		YTG650P-66/D		YTG655P-66/D		YTG660P-66/D		YTG665P-66/D	
	STC	NMOT	STC	NMOT	STC	NMOT	STC	NMOT	STC	NMOT
Rated maximum power P _{max} (W)	645	488	650	492	655	496	660	500	665	504
Open circuit voltage Voc (V)	45.22	42.10	45.40	42.30	45.56	42.50	45.74	42.70	45.92	42.90
Short circuit current Isc (A)	18.16	14.88	18.22	14.91	18.28	14.94	18.34	14.98	18.40	15.02
Maximum power voltage V _{mp} (V)	37.61	34.94	37.75	35.10	37.91	35.26	38.07	35.42	38.22	35.60
Maximum power current Imp (A)	17.15	13.98	17.22	14.03	17.28	14.08	17.34	14.12	17.40	14.16
Module efficiency (%)	20.8		20.9		21.1		21.2		21.4	

Bifacial gain 10%	YTG645P-66/D		YTG650P-66/D		YTG655P-66/D		YTG660P-66/D		YTG665P-66/D	
	STC	NMOT	STC	NMOT	STC	NMOT	STC	NMOT	STC	NMOT
Rated maximum power P _{max} (W)	710		715		721		726		732	
Open circuit voltage Voc (V)	45.22		45.40		45.56		45.74		45.92	
Short circuit current Isc (A)	19.98		20.04		20.11		20.17		20.24	
Maximum power voltage V _{mp} (V)	37.61		37.75		37.91		38.07		38.22	
Maximum power current Imp (A)	18.87		18.94		19.01		19.07		19.14	

Temperature Coefficients

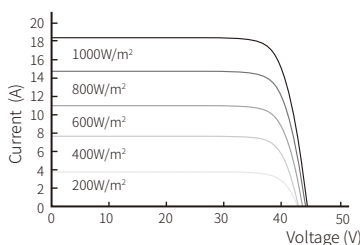
Temperature coefficient α _{Isc}	+0.045%/°C
Temperature coefficient β _{Voc}	-0.275%/°C
Temperature coefficient γ _{Pmax}	-0.350%/°C

Operating Conditions

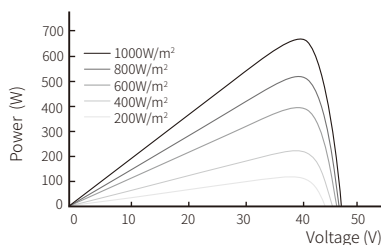
Operating temperature	-40°C~+70°C	Nominal operating cell temperature	45±2°C
P _{max} , Voc, Isc tolerance	±3%	Front side Max. static test loading	5400 Pa
Power selection	0~+5W	Rear side Max. static test loading	2400 Pa
Maximum system voltage	1500V DC	Bifaciality	70±10%
Maximum series fuse rating	35A		

Graphs (YTG660P-66/D)

Current - Voltage Curve



Power - Voltage Curve



Current - Voltage Curve

